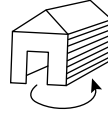


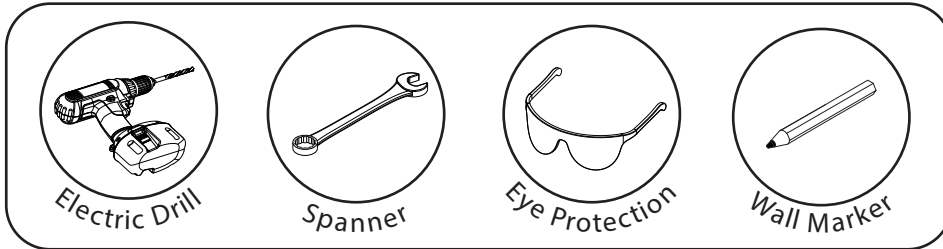


Shed Shackle - Fitting Instructions (Wooden Sheds)

You will drill holes through a shed wall from the inside.
Ensure you can access the same wall from the outside.

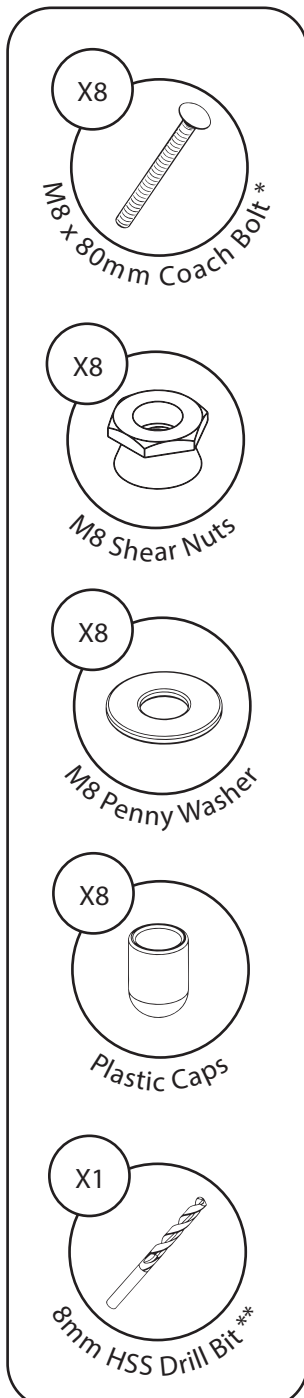


Required tools



Additional fitting guidance
can be found at:
SecurityForBikes.com/Shed-Shackle.php

Parts included



Overview & Typical Drilling Order

Numbers show drilling order

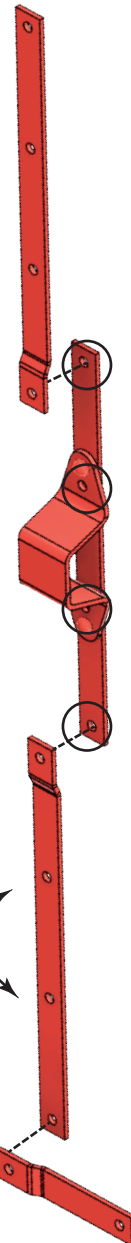
All bars must be fitted
to **structural timber**.

Designed for **internal
fitting**, inside the shed.

Central bar requires
4 bolts.

Extra bolt-holes on
both **extension bars**
for flexible fitting of
side brace.

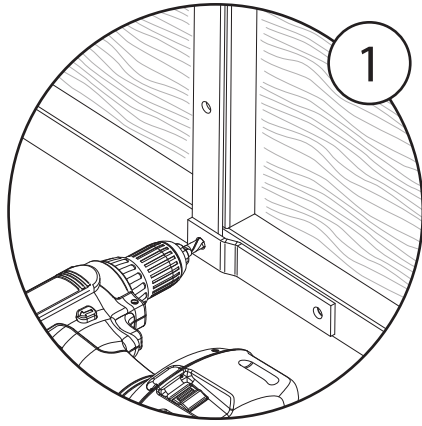
Side brace must
be perpendicular.



* Alternative bolt lengths available as options

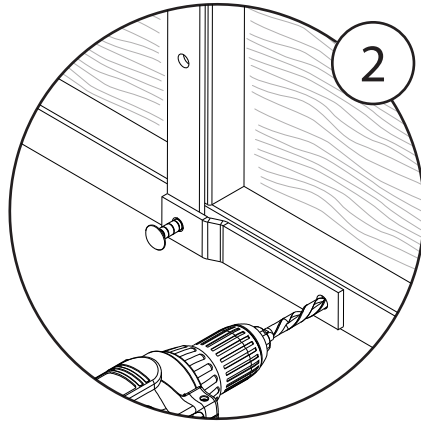
** Optional, generally not included in bulk/trade kits

Fitting Sequence - Read through completely before starting



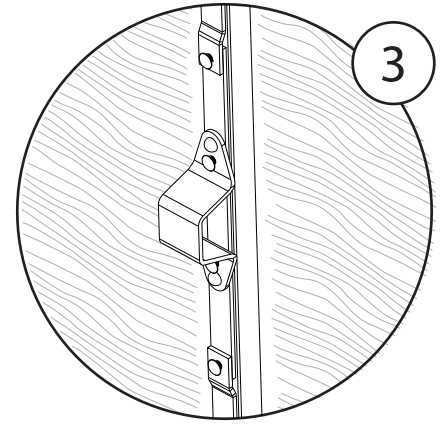
1

Place **extension bar** and **side brace** against timber and drill completely through hole.



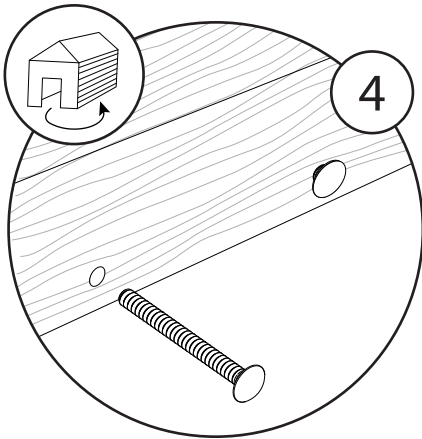
2

Push a bolt through to help hold bars in place while you drill the next hole.



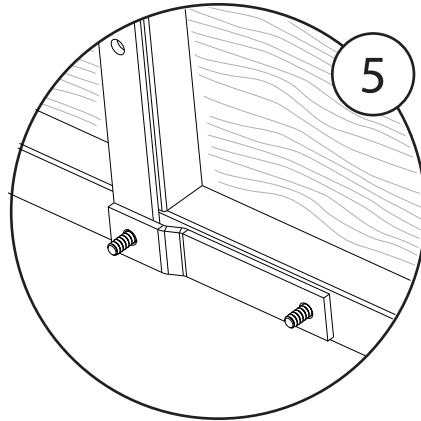
3

Repeat this until all points shown by the typical drilling order (page 1) are drilled.



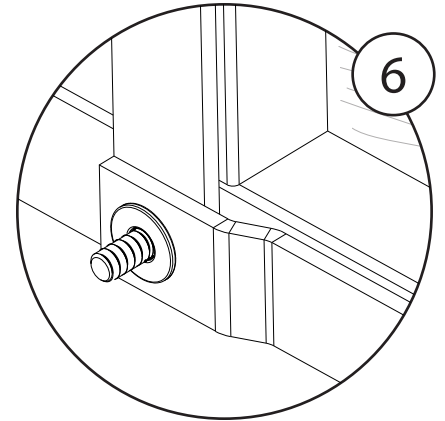
4

Disassemble the bars and push the bolts through from the outside of the shed.



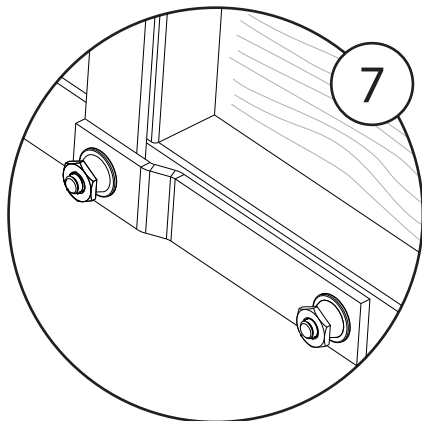
5

Reassemble all of the bars onto the open threads inside the shed.



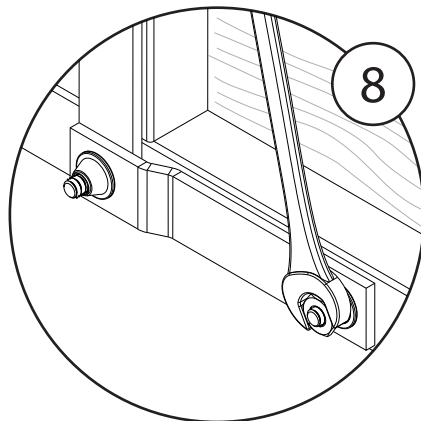
6

Push the washers onto the bolt threads.



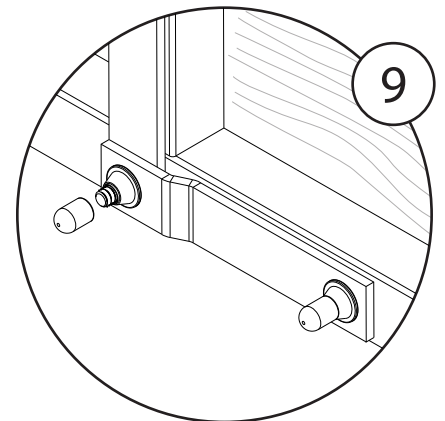
7

Loosely thread the shear nuts onto **all** the washers and bolts.



8

Tighten the nuts until the head shears off. **Be mindful of hands hitting against other parts as it shears.**



9

Lastly, push safety protective caps onto the ends of all bolts.